

paco jaansõn



1 new message received



OMG! DID YOU C D BLING N THR BATHRM?  
DIS S W/O A DOUBT D MOST THORT  
PROVKING CREA8TN I HAV SEEN...  
FYI - THEY ALWAYS XPR\$ THER TASTE  
2 D HYEST LVL. DID U HEA HER COMPARE  
THE TAPS 2 D ROLLS ROYCE OF D  
AUTOMOTIVE WRLD?  
WHR DZ SHE KEP FINDN DEEZ FINGS?  
LCKE BTCH.  
LOL.





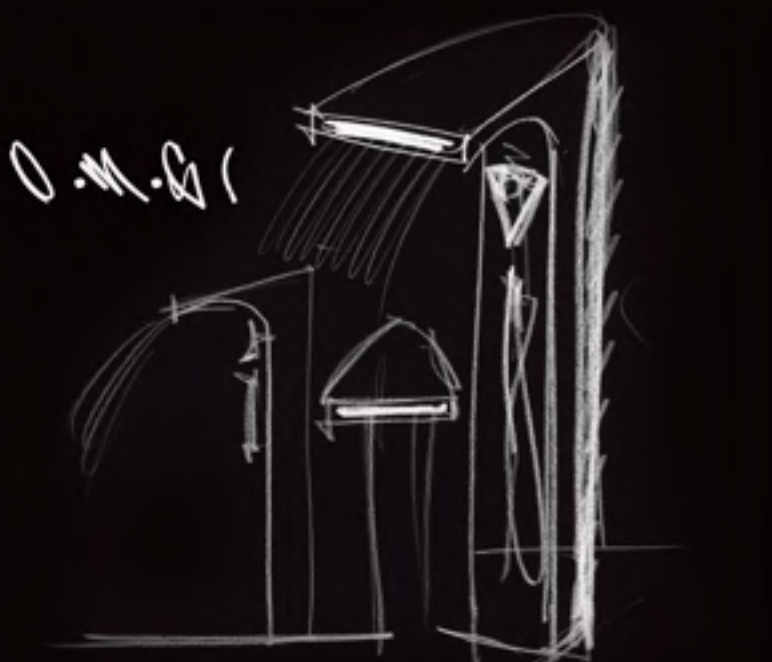
( oh my god! )

OMGI is a small and compact tap.

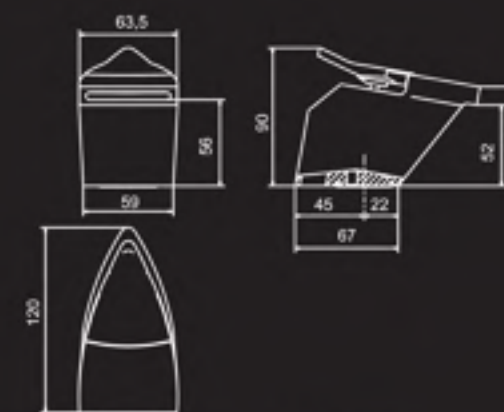
The tap can be seen primarily from above. This has been chosen to entrust greater responsibility & characterization of the design. With smooth reflective lines the control lever is one with the body and is operated from behind.

The water jet exists enlarged however is still channeled into a slot to significantly shorten the mouth.

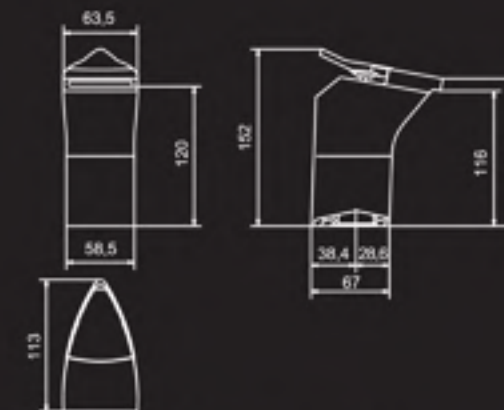
OMGI is small yet in no way lacking personality, with some reference to aerodynamic shape of the 50's. All is delivered with discretion in the spirit of understatement a subject and philosophy very dear to us all.



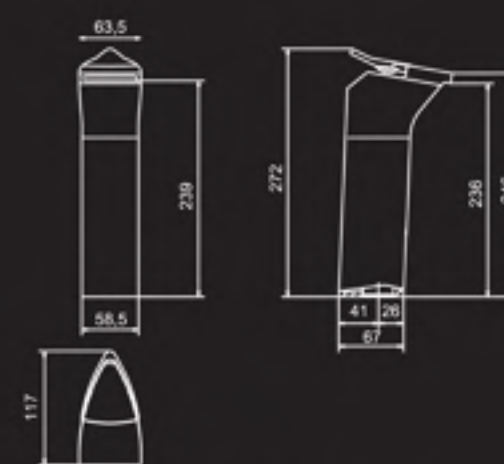
OMGI



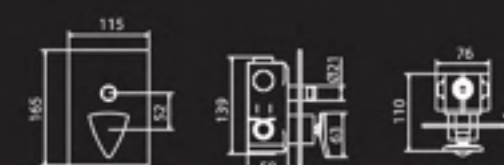
Basin Mixer ( WELS 5 Star, 5 L/min )  
Code: OMG200



Midi Basin Mixer ( WELS 5 Star, 5 L/min )  
Code: OMG204



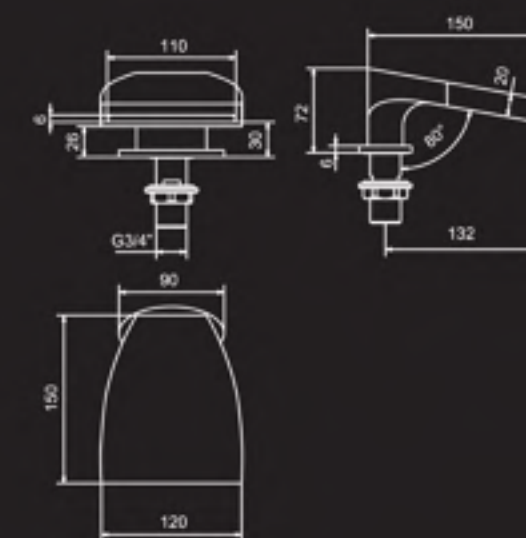
Tall Basin Mixer ( WELS 5 Star, 5 L/min )  
Code: OMG202



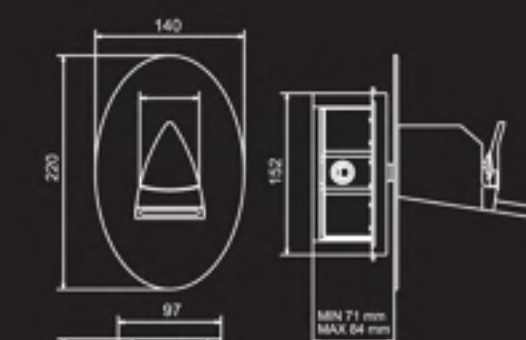
Wall Mixer with Divertor  
Code: OMG310



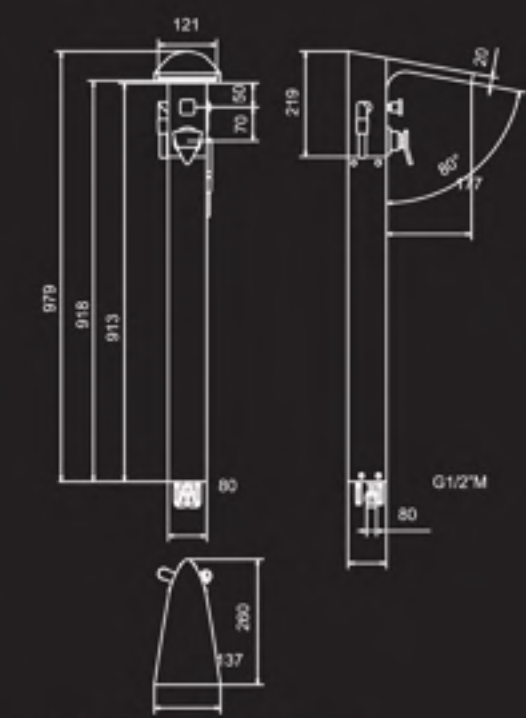
Wall Mixer  
Code: OMG300



Spout  
Code: OMG320



Wall Mixer/Spout ( WELS 5 Star, 5 L/min )  
Code: OMG207



Free Standing Bath Filler  
Code: OMG399

All items are available in Polished Chrome, White or Black finish

pacojaanson-OMG091101



omg



( oh my god! )



**paco jaansōn** Fine Bathroomware

Useful objects which carry their own weight while lifting our spirits high - Each piece is an inspired balance of form and function

tel.1800 006 260 - [www.pacojaanson.com.au](http://www.pacojaanson.com.au)