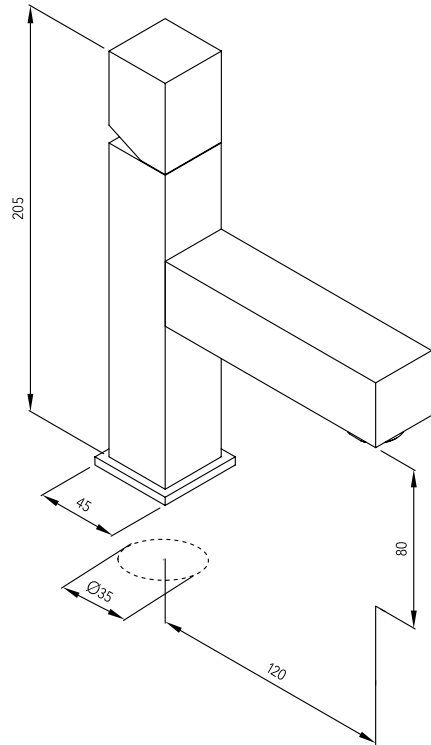


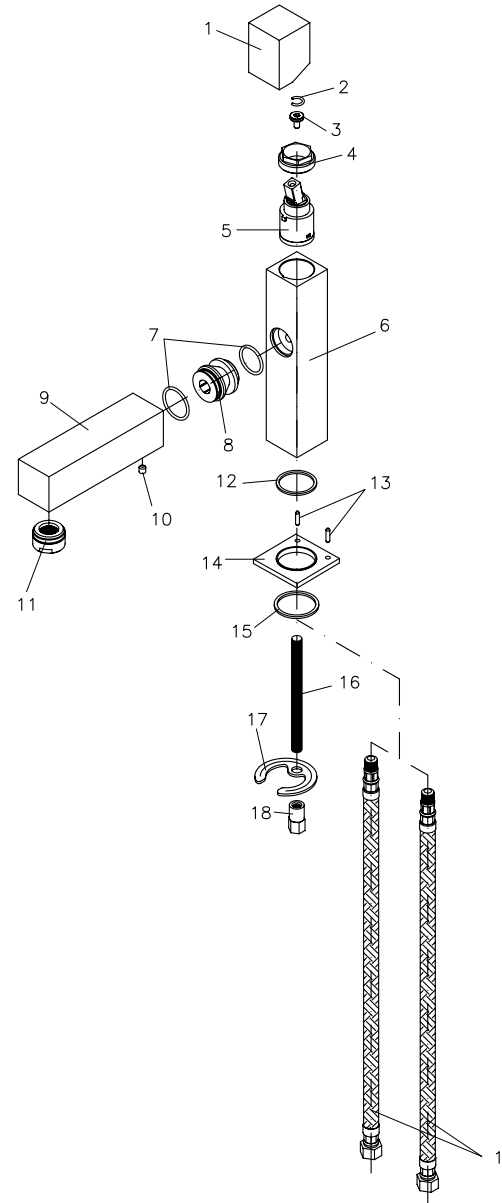
039.107

dimensiones
dimensions



039.107

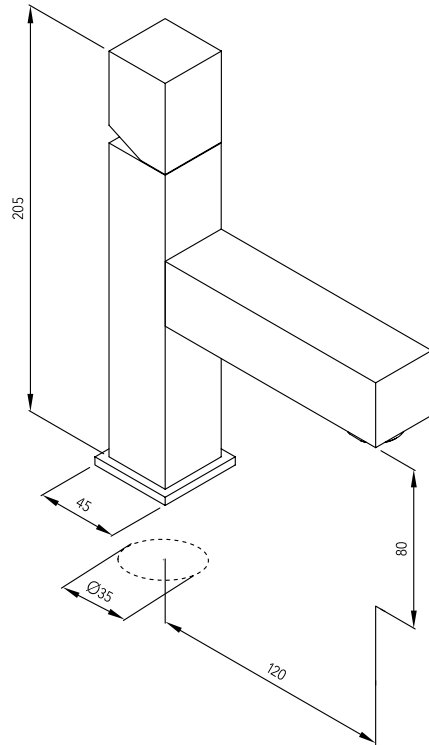
lavabo
basin



Item	Cant. Pcs.	Codigo Code	Observ.
1	1	825.808	039.107.110
1	1	600.173	039.107.711
1	1	600.141	039.107.621
2	1	880.019	
3	1	825.863	
4	1	825.848	
5	1	600.015	
6	1	825.807	
7	2	885.094	
8	1	825.805	
9	1	825.804	
10	1	870.108	
11	1	500.047	
11	1	500.395	OPTIONAL TYPE "U"
12	1	885.140	OPTIONAL
13	2	870.132	
14	1	825.846	
15	1	885.139	
16	1	870.059	
17	1	875.023	
18	1	870.043	
19	1	600.501	
19	1	X600.501	OPTIONAL NSF approved

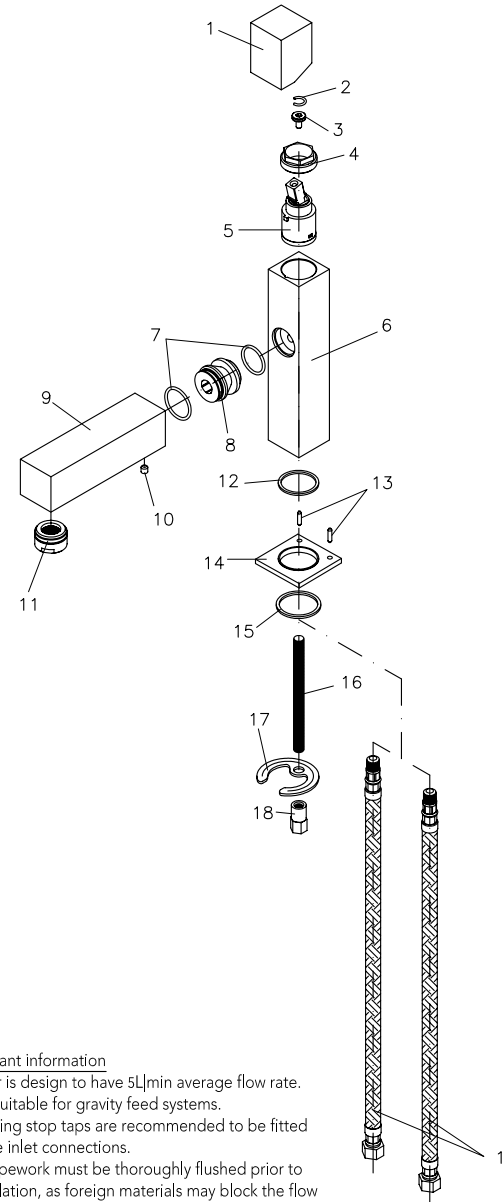
039.107

dimensiones
dimensions



039.107 Q40

lavabo
basin



Item	Cant. Pcs.	Codigo Code	Observ.
1	1	825.808	039.107.110
1	1	600.173	039.107.711
1	1	600.141	039.107.621
2	1	880.019	
3	1	825.863	
4	1	825.848	
5	1	600.015	
6	1	825.807	
7	2	885.094	
8	1	825.805	
9	1	825.804	
10	1	870.108	
11	1	600.568	
12	1	885.140	OPTIONAL
13	2	870.132	
14	1	825.846	
15	1	885.139	
16	1	870.059	
17	1	875.023	
18	1	870.043	
19	1	500.318.Q40	

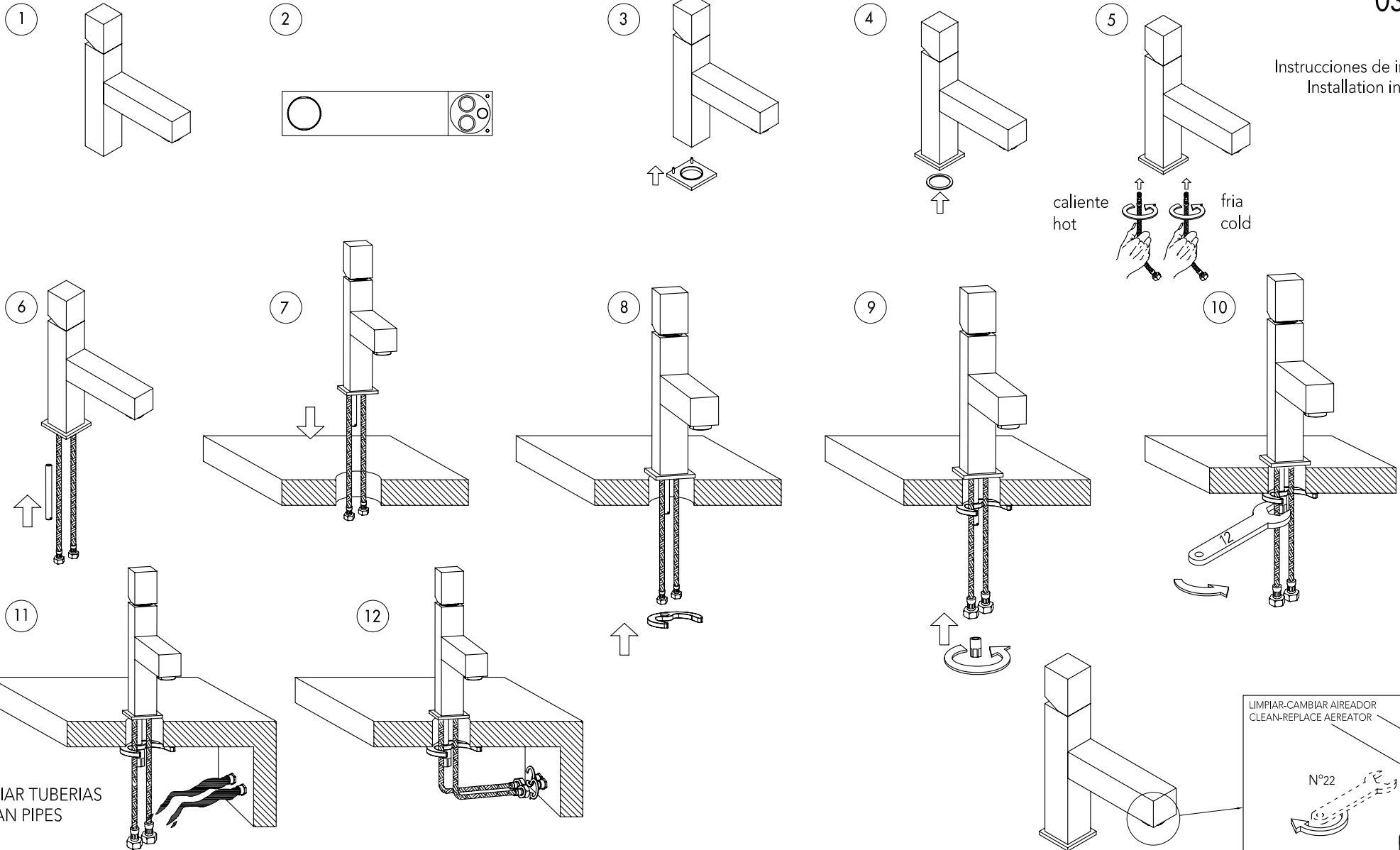
Water efficient Tapware
Nominal Flowrate=5L/min

Important information

- Mixer is design to have 5L/min average flow rate.
 - Not suitable for gravity feed systems.
 - Isolating stop taps are recommended to be fitted to the inlet connections.
 - All pipework must be thoroughly flushed prior to installation, as foreign materials may block the flow regulating device and reduce the flow of water.
- Note: Aerator insert housing must be retightened to prevent removal by hand.

Pressure & Temperature Requirements.

- Hot and cold water inlet pressures should be equal.
- Inlet pressure range: 150-1000 kPa
- New regulation: 500kPa maximum operating pressure at any outlet within a building. (Ref. AS/NZS 3500.1-2003, Clause 3.3.4)
- Maximum hot water temperature: 80°C



LIMPIAR TUBERIAS
CLEAN PIPES

