

**ISTRUZIONI DI MONTAGGIO**

**IT**

**FITTING INSTRUCTIONS**

**EN**

**INSTRUCTIONS DE MONTAGE**

**FR**

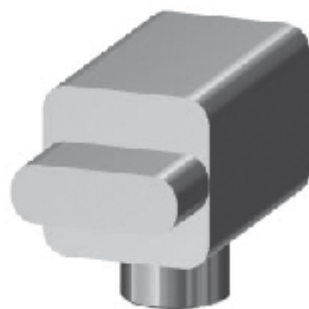
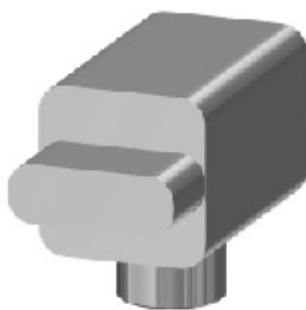
**INSTRUCCIONES DE MONTAJE**

**ES**

**INSTRUÇÕES DE MONTAGEM**

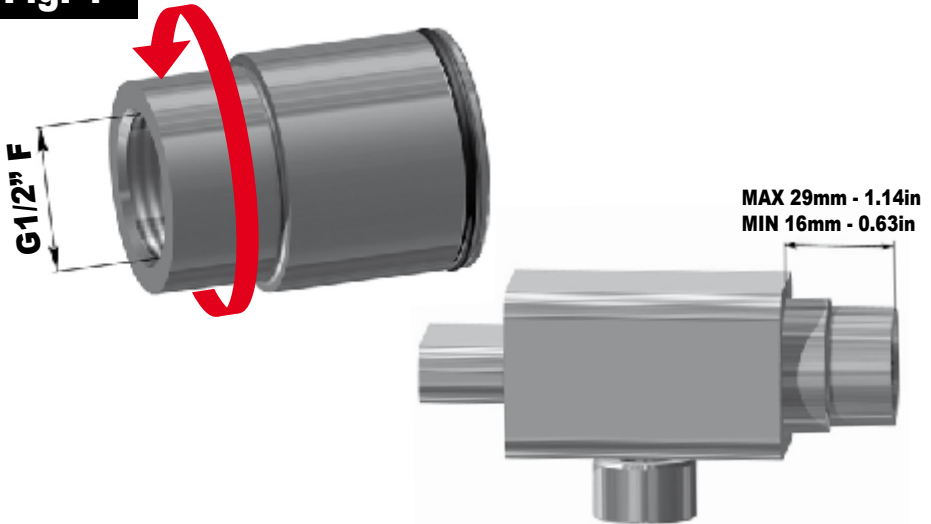
**PO**

# SuperBox

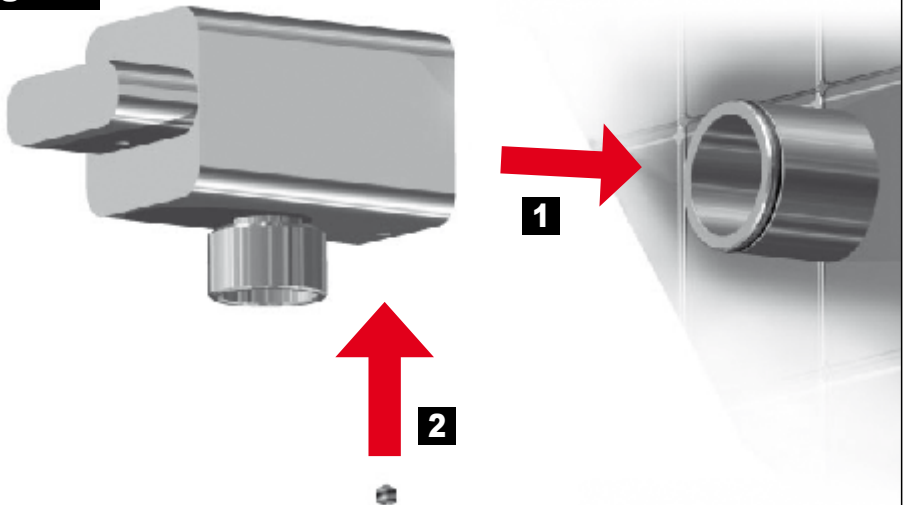


**SL400**

**Fig. 1**



**Fig. 2**



**IMPORTANT**

**Pressure & Temperature Requirements.**

- \* Hot and cold water inlet pressures should be equal.
- \* Inlet pressure range: 150-1000 kPa
- \* New Regulation: -500 kPa maximum operating pressure at any outlet within a building. (Ref. AS/NZS 3500.1-2003, Clause 3.3.4)
- \* Maximum hot water temperature: 80°C.



[www.ibrubinetterie.it](http://www.ibrubinetterie.it)

**iB Rubinetterie S.p.A.**

Via dei Pianotti 3/5  
25068 SAREZZO (BS) Italy  
Inscr. Reg. Impr. BS 01785230986  
R.E.A. BS 352087  
P.IVA 01785230986  
Capitale Sociale € 420.000,00 i.v.  
phone +39 030 802101  
fax +39 030 803097  
mail [info@ibrubinetterie.it](mailto:info@ibrubinetterie.it)